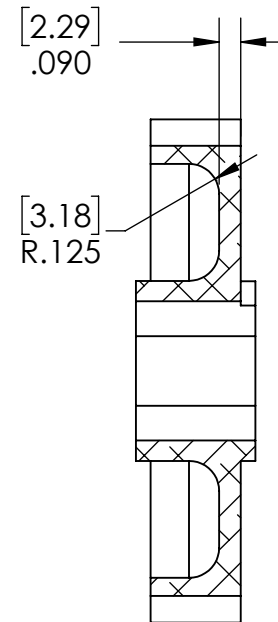
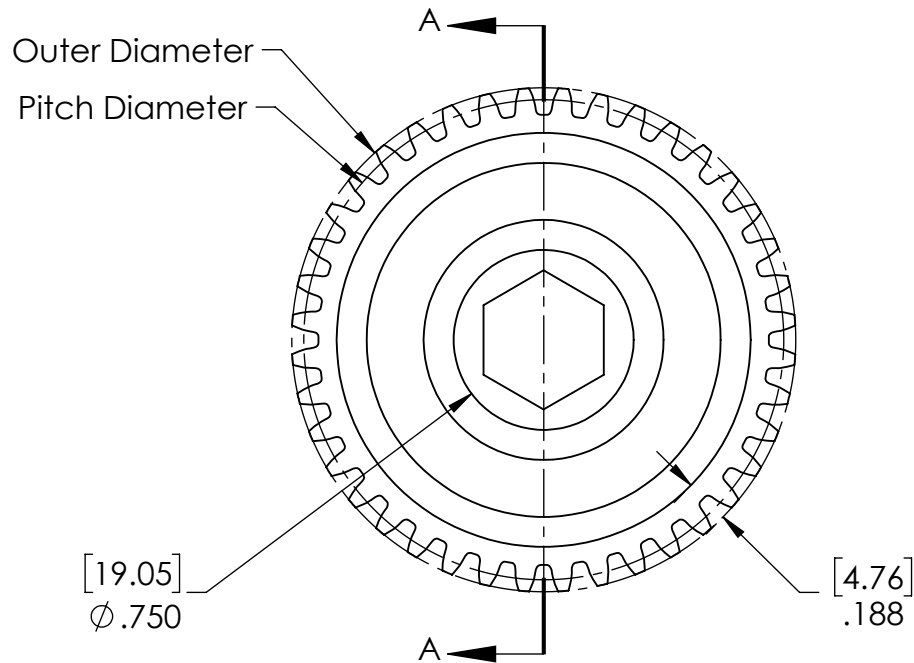
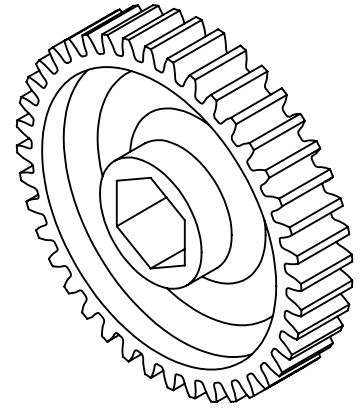


Part #	Tooth Count	Pitch Diameter (ref)	Outer Diameter	Material
WCP-0116	40	2.000	2.100	7075-T6 Aluminum
WCP-0117	42	2.100	2.200	7075-T6 Aluminum
WCP-0118	44	2.200	2.300	7075-T6 Aluminum
WCP-0136	46	2.300	2.400	7075-T6 Aluminum
WCP-0137	48	2.400	2.500	7075-T6 Aluminum
WCP-0119	50	2.500	2.600	7075-T6 Aluminum
WCP-0138	52	2.600	2.700	7075-T6 Aluminum
WCP-0120	54	2.700	2.800	7075-T6 Aluminum
WCP-0139	56	2.800	2.900	7075-T6 Aluminum
WCP-0140	58	2.900	3.000	7075-T6 Aluminum
WCP-0121	60	3.000	3.100	7075-T6 Aluminum
WCP-0141	62	3.100	3.200	7075-T6 Aluminum

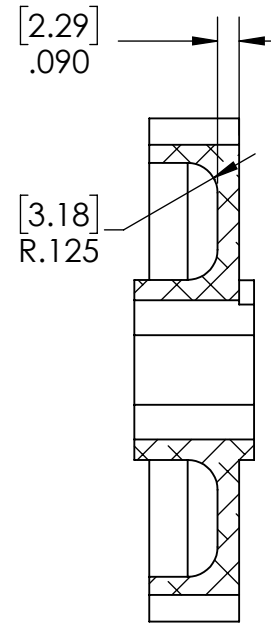
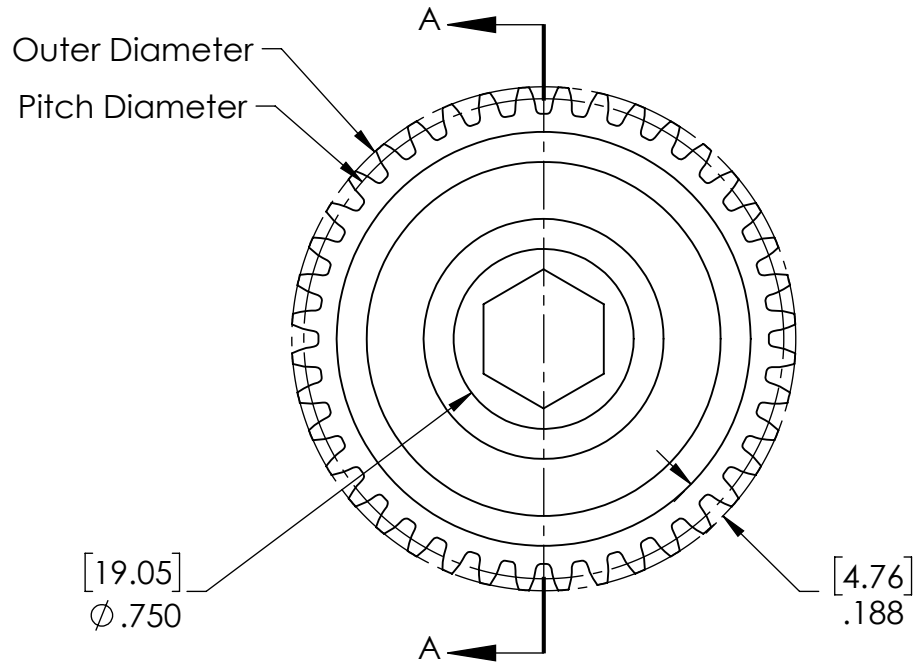
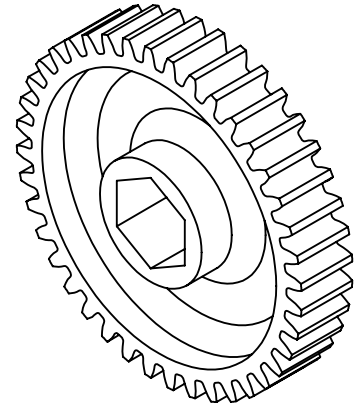


SECTION A-A



Description		WCP Pocketed Gears (1/2" Hex)	
Dwg No		Aluminum Pocketed Gears	
Project		FIRST Robotics - FRC	Sheet 1 of 1
Release		1/2/2023	ALL DIMENSIONS ARE IN INCHES [MM].

Part #	Tooth Count	Pitch Diameter (ref)	Outer Diameter	Material
WCP-0122	64	3.200	3.300	7075-T6 Aluminum
WCP-0142	66	3.300	3.400	7075-T6 Aluminum
WCP-0143	68	3.400	3.500	7075-T6 Aluminum
WCP-0144	70	3.500	3.600	7075-T6 Aluminum
WCP-0123	72	3.600	3.700	7075-T6 Aluminum
WCP-0145	74	3.700	3.800	7075-T6 Aluminum
WCP-0146	76	3.800	3.900	7075-T6 Aluminum
WCP-0147	78	3.900	4.000	7075-T6 Aluminum
WCP-0148	80	4.000	4.100	7075-T6 Aluminum
WCP-0149	82	4.100	4.200	7075-T6 Aluminum
WCP-0124	84	4.200	4.300	7075-T6 Aluminum

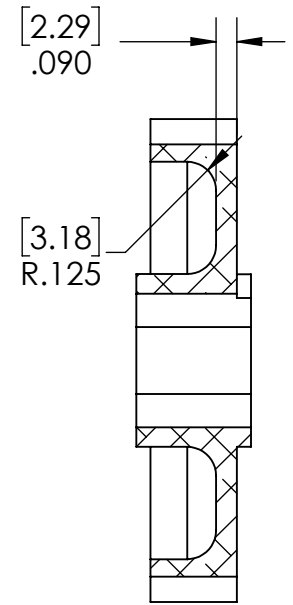
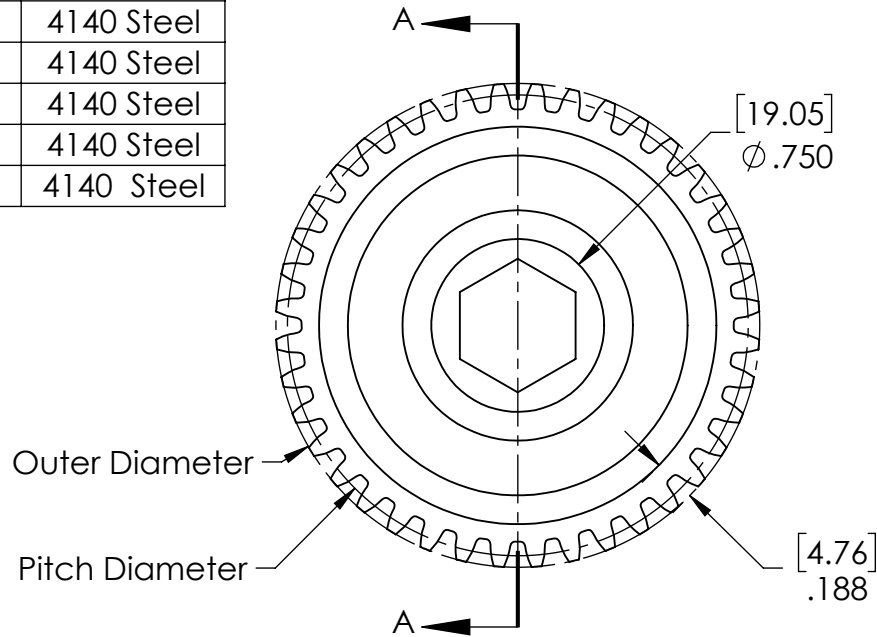
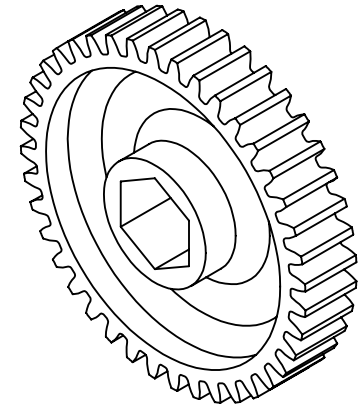


SECTION A-A



Description		WCP Pocketed Gears (1/2" Hex)	
Dwg No		Aluminum Pocketed Gears	
Project		FIRST Robotics - FRC	Sheet 1 of 1
Release		1/2/2023	ALL DIMENSIONS ARE IN INCHES [MM].

Part #	Tooth Count	Pitch Diameter (ref)	Outer Diameter	Material
WCP-0553	30	1.500	1.600	4140 Steel
WCP-0554	32	1.600	1.700	4140 Steel
WCP-0542	34	1.700	1.800	4140 Steel
WCP-0555	36	1.800	1.900	4140 Steel
WCP-0556	38	1.900	2.000	4140 Steel
WCP-0177	40	2.000	2.100	4140 Steel
WCP-0178	42	2.100	2.200	4140 Steel
WCP-0179	44	2.200	2.300	4140 Steel
WCP-0180	46	2.300	2.400	4140 Steel
WCP-0181	48	2.400	2.500	4140 Steel
WCP-0182	50	2.500	2.600	4140 Steel
WCP-0183	52	2.600	2.700	4140 Steel
WCP-0184	54	2.700	2.800	4140 Steel
WCP-0185	56	2.800	2.900	4140 Steel
WCP-0186	58	2.900	3.000	4140 Steel
WCP-0187	60	3.000	3.100	4140 Steel
WCP-0292	62	3.100	3.200	4140 Steel
WCP-0293	64	3.200	3.400	4140 Steel

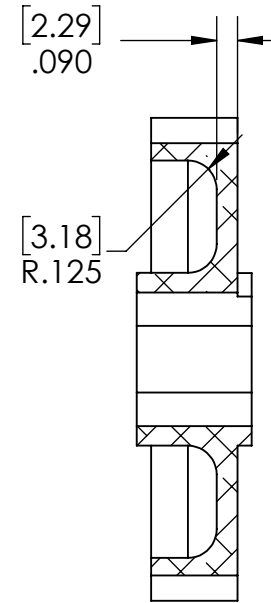
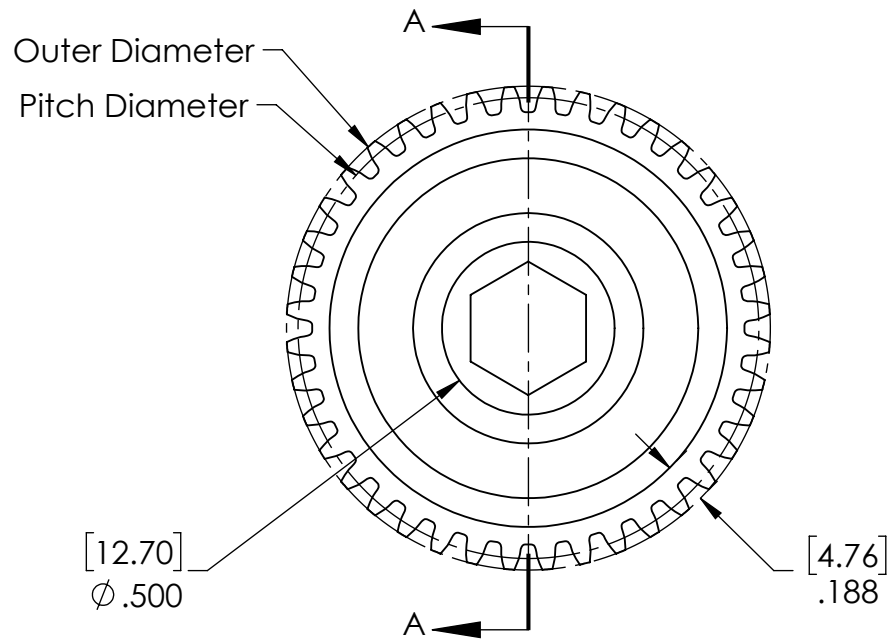
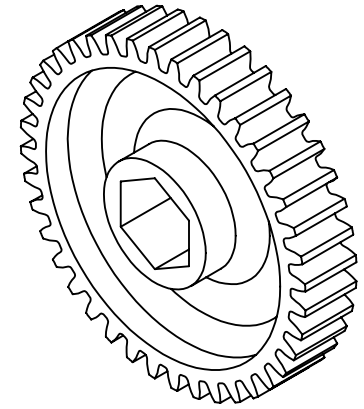


SECTION A-A



Description		WCP Steel Pocketed Gears (1/2" Hex)	
Dwg No		Steel Pocketed Gears	
Project		FIRST Robotics - FRC	Sheet 1 of 1
Release		1/2/2023	ALL DIMENSIONS ARE IN INCHES [MM].

Part #	Tooth Count	Pitch Diameter (ref)	Outer Diameter	Material
WCP-0539	26	1.3	1.4	4140 Steel
WCP-0546	28	1.4	1.5	4140 Steel
WCP-0547	30	1.5	1.6	4140 Steel
WCP-0540	32	1.6	1.7	4140 Steel
WCP-0548	34	1.7	1.8	4140 Steel
WCP-0549	36	1.8	1.9	4140 Steel
WCP-0550	38	1.9	2.0	4140 Steel
WCP-0551	40	2.0	2.1	4140 Steel
WCP-0541	42	2.1	2.2	4140 Steel



SECTION A-A



Description		WCP Steel Pocketed Gears (3/8" Hex)	
Dwg No		Steel Pocketed Gears	
Project		FIRST Robotics - FRC	Sheet 1 of 1
Release		1/2/2023	ALL DIMENSIONS ARE IN INCHES [MM].